

UL Listed Designer Series™ wall mounts are the industry standard for contemporary design in TV mounting brackets. These shelf style mounts feature an extremely low profile patented design, that essentially hides the mounting bracket behind the TV or Monitor. The Designer Series wall mounts are ideal for the home, office or any other application where style is important and theft of the TV or Monitor is not a concern. Two models available for 13" (33-40 cm), and 19"-20" (42-55 cm) TVs.

Features

Support Tray has three tilt positions (0°, 5°, 10°).

Safety belt included.

Dual swivel feature allows TV to be pointed in almost any direction.

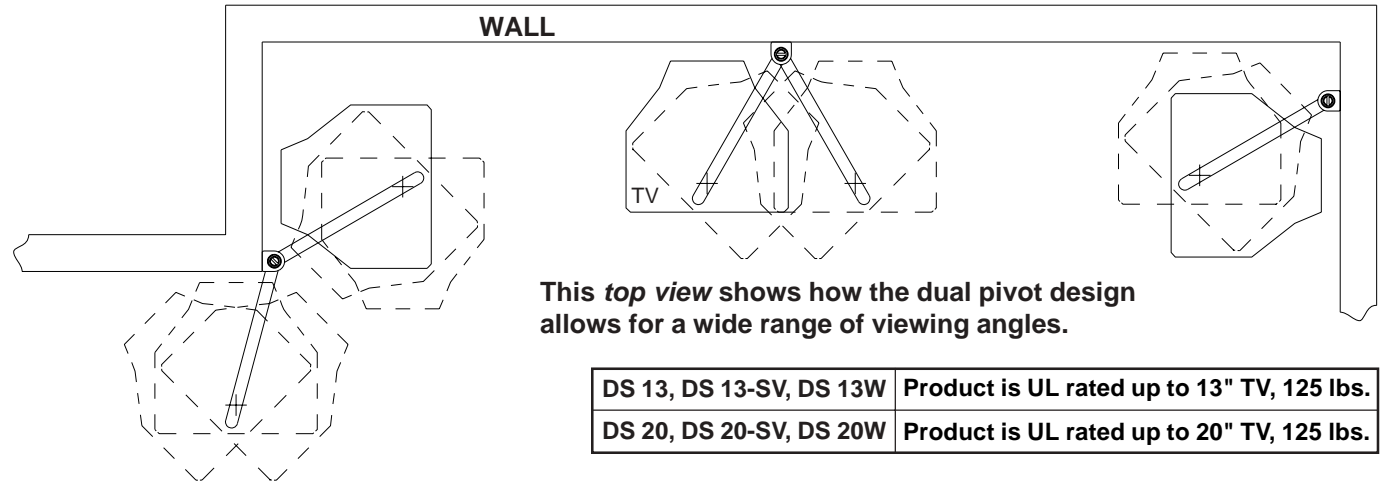
VCR mounting bracket (sold separately) attaches below the support tray.

Attachment hardware for wood stud walls provided.

Accessories

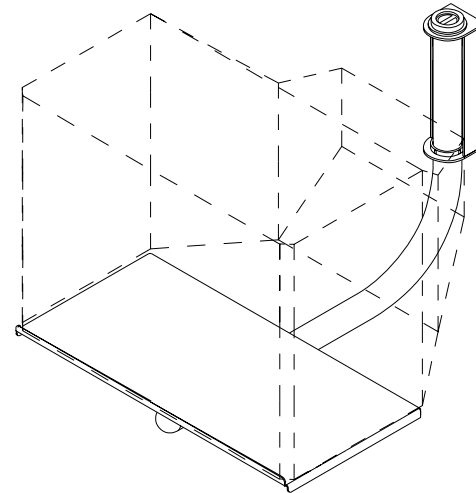
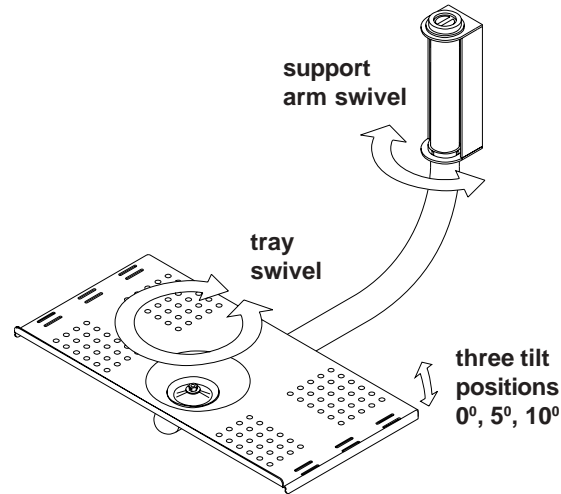
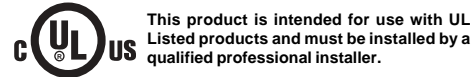
For metal stud wall installations order External Wall Plate for Metal Stud Walls - several models available.

For attachment to a solid concrete, concrete block, or brick wall accessory kit #ACC203 (includes three concrete anchors) is required and can be ordered directly from Peerless.



This top view shows how the dual pivot design allows for a wide range of viewing angles.

DS 13, DS 13-SV, DS 13W	Product is UL rated up to 13" TV, 125 lbs.
DS 20, DS 20-SV, DS 20W	Product is UL rated up to 20" TV, 125 lbs.



Most of the bracket is concealed by the TV resulting in a clean finished assembly.

See opposite side for specific dimensions.

MODEL #	WEIGHT	SHIPPING WEIGHT
DS 13, DS 13-SV, DS 13W	5.4 lbs. (2.45 kg.)	7.9 lbs. (3.58 kg.)
DS 20, DS 20-SV, DS 20W	7.5 lbs. (3.40 kg.)	10.0 lbs. (4.54 kg.)

Architects Specifications:

The television mount shall be a Peerless model DS _____ and shall be located where indicated on the plans. The finish shall be scratch resistant Black, White, or Silver Fused Epoxy. The point of attachment must be to a wood stud, solid concrete, brick, or concrete block wall. The television mount shall be constructed primarily of heavy gauge cold rolled steel. It shall feature three tilt positions and dual swivel. Assembly and installation shall be done according to instructions provided by the manufacturer.

Protected by U.S. Patent no. 5,127,617. Other U.S. and international patents pending.

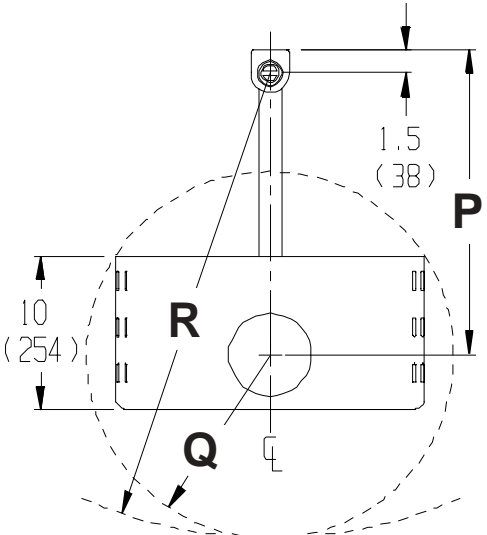
**TECHNICAL DATA SHEET
DESIGNER SERIES WALL MOUNT**

Peerless Industries, Inc.

3215 W. North Ave.
Melrose Park, IL 60160

phone: (708) 865-8870
fax: (708) 865-2941

©2004 Peerless Industries, Inc. All rights reserved.
Peerless is a registered trademark of Peerless Industries, Inc.
All other brand and product names are trademarks or registered trademarks of their respective owners.
ISSUED: 7-17-96 SHEET NO:170-9504-5 08-12-04



TOP VIEW

DIMENSION	MODEL NUMBER	
	DS 13, DS 13-SV, DS 13W for 13" TVs	DS 20, DS 20-SV, DS 20W for 19" - 20" TVs
W	14 (356)	20 (506)
D	20.5 (521)	23 (584)
P	16.85 (428)	17.75 (451)
Q	9.5 (241)	12 (305)
R	24.75 (628)	29.75 (756)
T	0°, 5°, 10°	0°, 5°, 10°

NOTES

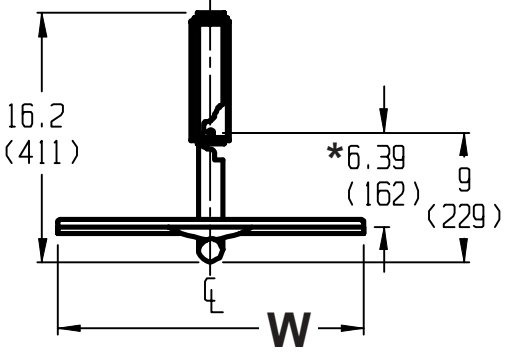
All dimensions:
inch
(mm)
unless otherwise specified.

CL = centerline

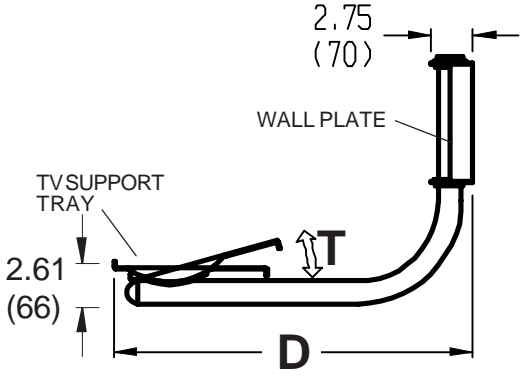
Material: Cold rolled steel and steel tubing

Finish: black, white, or silver fused epoxy

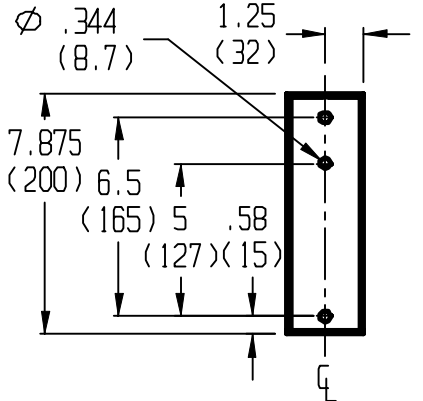
*Distance from surface of TV support tray to bottom mounting hole in wall plate.



FRONT VIEW



SIDE VIEW



FRONT VIEW
Wall Plate Only