

Installation and Assembly - Designer Series TV Ceiling Mount

Models: CDS 13, CDS 20, CDS 27

IMPORTANT! Read entire instruction sheet before beginning installation and assembly.



This product is intended for use with UL Listed products and must be installed by a qualified professional installer.

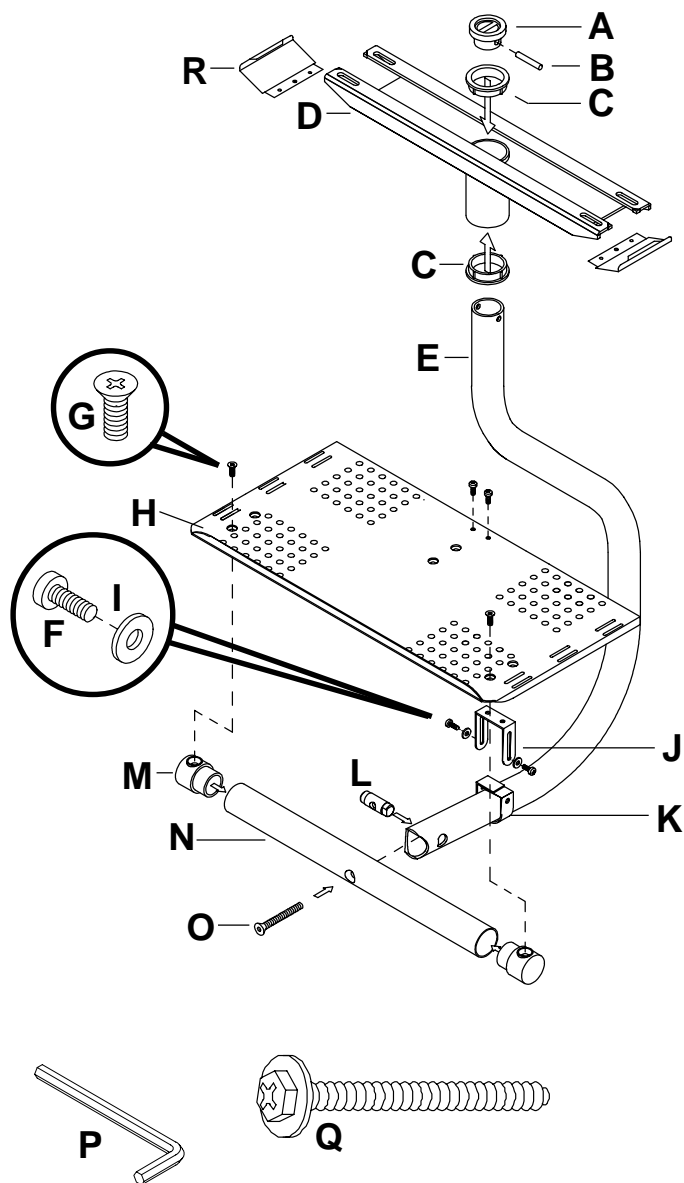
⚠ WARNING

- Installer must verify that the ceiling will safely support four times the combined weight of all attached equipment and hardware.

Support Tray Extensions (accessory kit ACC 130) are available for deep profile TVs.

Protected by U.S. Patent no. 5,127,617. Other U.S. and international patents pending.

CDS 13	Product is UL rated up to 13" TV, 125 lb
CDS 20	Product is UL rated up to 20" TV, 125 lb
CDS 27	Product is UL rated up to 27" TV, 125 lb

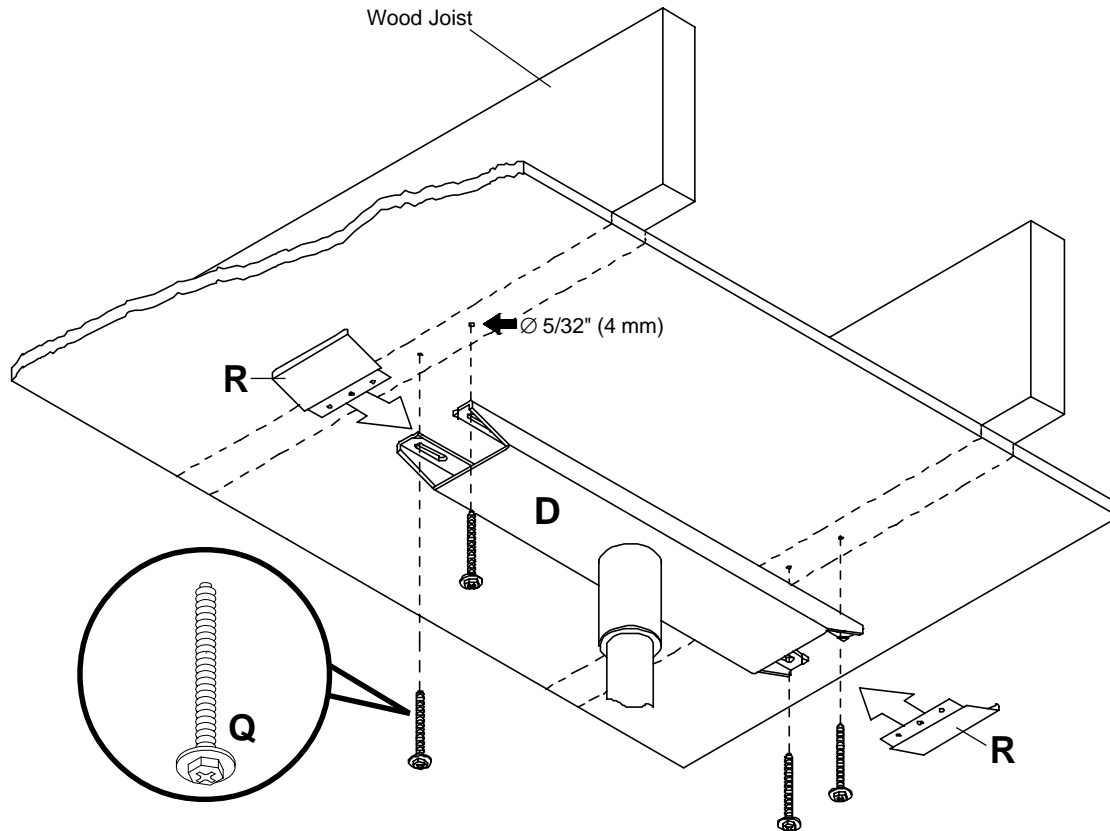
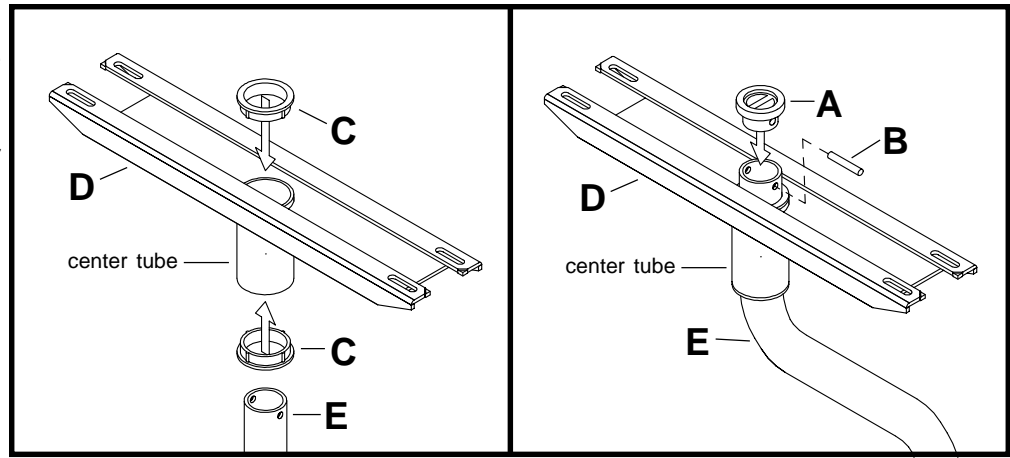


Parts List

Description	Qty.	Part #	CDS 13	CDS 20	CDS 27
A support arm retainer	1	590-1007	✓	✓	✓
B retainer pin	1	560-9643	✓	✓	✓
C bushing	2	590-1005	✓	✓	✓
D ceiling plate	1	170-1038	✓	✓	✓
E support arm	1	023-1006	✓	✓	✓
F M5 x .8 x 8 mm screw	4	520-1167	✓	✓	✓
G M6 x 16 mm screw	2	520-9270	✓	✓	✓
H support tray	1	1545-271	✓		
	1	1545-272		✓	
	1	1545-273			✓
I flat washer	2	540-9400	✓	✓	✓
J tilt adjuster	1	1545-276	✓	✓	✓
K retainer strap	1	1545-275	✓	✓	✓
L draw bar	1	1545-274	✓	✓	✓
M cross arm end cap	2	590-1006	✓		
		590-1053		✓	✓
N cross arm	1	1545-371	✓		
	1	170-1025		✓	
	1	170-1026			✓
O socket head screw	1	520-9400	✓	✓	✓
P allen wrench	1	560-9640	✓	✓	✓
Q #14 x 2.5" (6 mm x 65 mm) washer head wood screw	4	5S1-015-C03	✓	✓	✓
R ceiling plate end cap	2	2PT-22CA01D	✓	✓	✓

Before you start make sure all of the parts shown are included with your product.

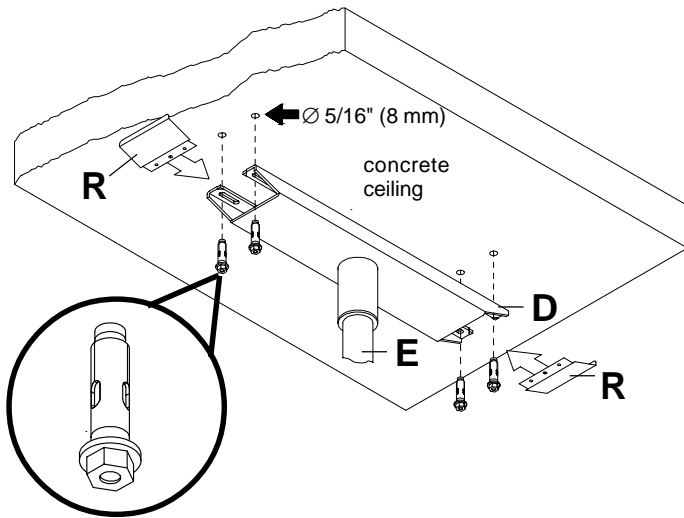
- 1** Snap bushings (C) into center tube of ceiling plate (D). Insert support arm (E) up through center tube. Insert support arm retainer (A) into support arm (E). Lock support arm retainer (A) to support arm (E) using retainer pin (B).
- Note:** A gentle tap with a hammer may be necessary to drive retainer pin (B) through support arm retainer (A).



- 2** For wood joist ceiling (for concrete ceiling skip to step 3) locate joist centers using a stud finder. Drill four 5/32" (4 mm) dia. holes 2.5" (65 mm) deep into joist centers. Attach ceiling plate (D) using four #14 x 2.5" (6 mm x 65 mm) wood screws (Q).
Tighten to 80 in. • lb (9 N.M.) maximum torque. Snap end caps (R) onto ends of ceiling plate (D). Skip to step 4.

⚠ WARNING

- Tighten wood screws so that ceiling plate is firmly attached, but do not overtighten. Overtightening can damage the screws, greatly reducing their holding power.
- Never tighten in excess of 80 in. • lb (9 N.M.).
- Make sure that mounting screws are anchored into the center of the studs. The use of an "edge to edge" stud finder is highly recommended.



⚠ WARNING

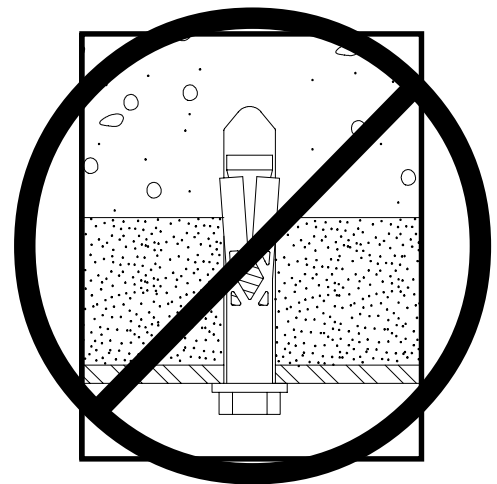
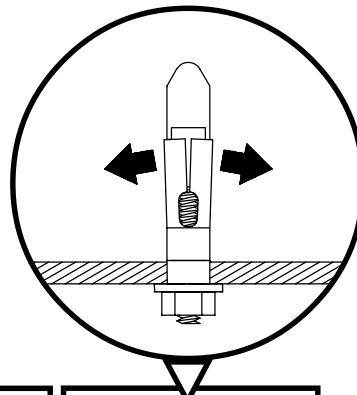
- Always attach concrete expansion anchors directly to load-bearing concrete.
- Never attach concrete expansion anchors to concrete covered with plaster, drywall, or other finishing material.

⚠ WARNING

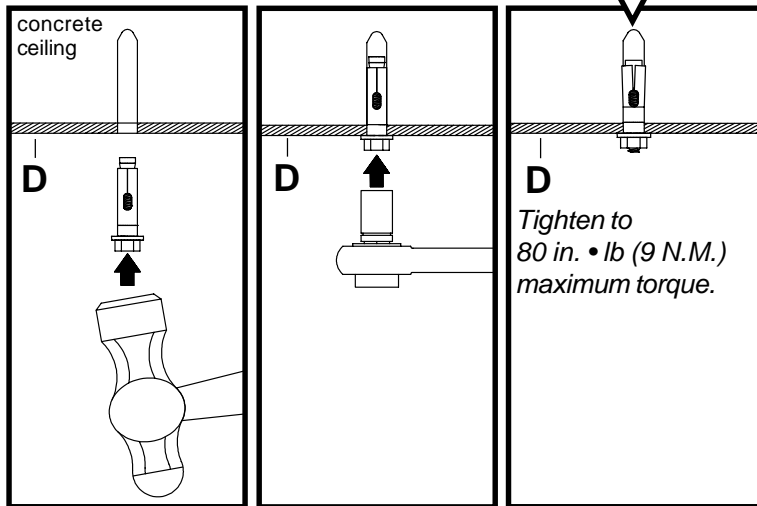
- Tighten concrete anchor bolts firmly, but do not overtighten. Overtightening can damage the bolts, greatly reducing their holding power.
- Never tighten in excess of 80 in. • lb (9 N.M.).

3 For concrete ceiling drill four 5/16" (8 mm) dia. holes 1.75" (45 mm) deep using a standard drill and masonry bit (DO NOT use a hammer drill). Attach ceiling plate (D) using four concrete anchors as shown. (See also "Concrete Anchor Installation" below.)
Tighten to 80 in. • lb (9 N.M.) maximum torque.
 Snap end caps (R) onto ends of ceiling plate (D).

USE ONLY RAWL™ #5005 OR HILTI™ HL814 CONCRETE EXPANSION ANCHORS.
 [.312 x 1.625 (8 mm x 41 mm)] Order accessory kit ACC 210.

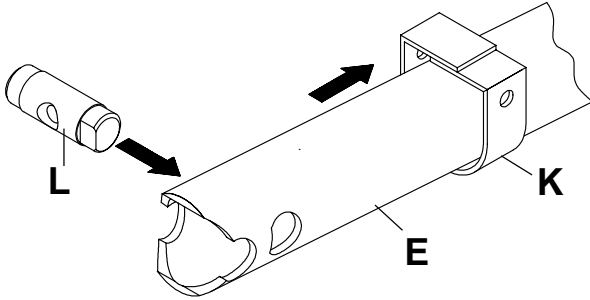


CROSS SECTION

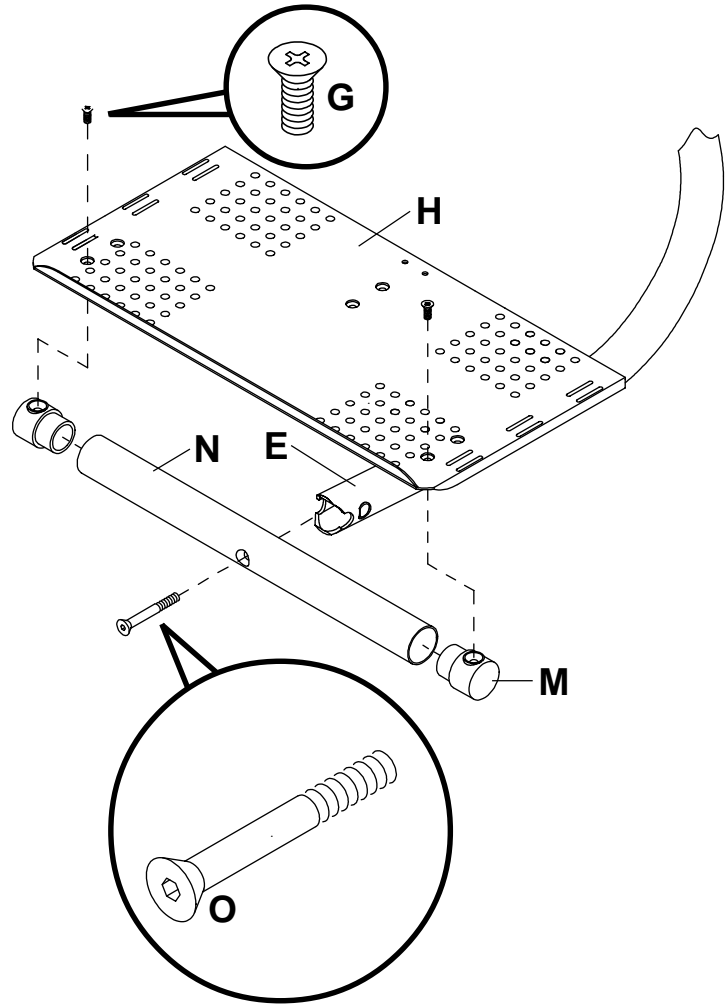


CONCRETE ANCHOR INSTALLATION

- 4** Slide retainer strap (K) onto lower end of support arm (E). Insert draw bar (L) into support arm (E) as shown.



- 5** Attach cross arm (N) to support arm (E) with socket head screw (O). **Note:** Be sure side of cross arm (N) containing two small threaded holes is down. Tighten screw (O) using allen wrench (P). Insert cross arm end caps (M), then attach support tray (H) using M6 x 16 mm screws (G). **Note:** Support tray (H) has two sets of mounting holes for a choice of two tray positions.



- 6** Attach tilt adjuster (J) using four M5 x 8 mm screws (F) and two flat washers (I).

