

---

# INSTALLATION INSTRUCTIONS

---

## MEDIUM FLAT PANEL DISPLAY TILT MOUNT MTR Series

The MTR Series tilt mount accommodates medium flat panel displays weighing up to 100 lbs (45.36kgs).

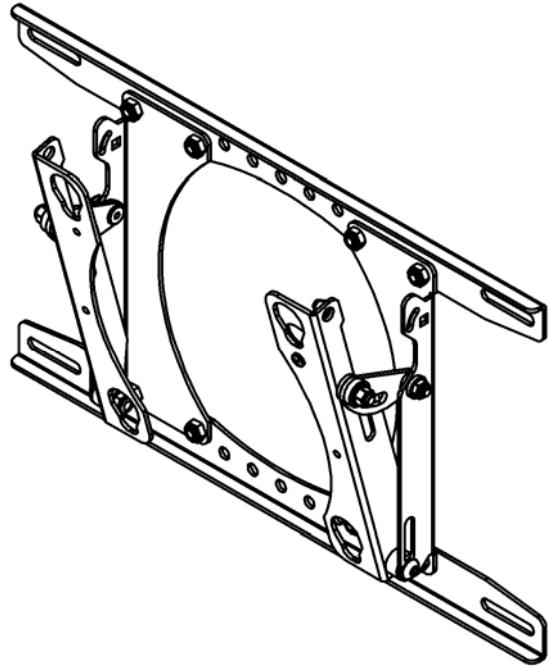
The teardrop holes in the mount allow for quick connect/disconnect of the display, thus simplifying installation and maintenance processes.

The top and bottom mounting brackets are adaptable to single wood stud mounting or dual wood studs that are 16" on center.

The display can be pulled and tilted into any position in the zero-to-15 degree tilt range and remain stationary. When fully retracted, the mount depth is 1.54 inches.

After installing the display on the mount, the screen can be locked in place using the convenient locking flag. A padlock can be used on the latching flag for added security.

The mount is concealed behind the display, making it a low profile wall mount.



MTR Series

**! IMPORTANT:** If the installation of this product requires OSHPD seismic approval, refer to OSHPD pre-approval documents and drawings before beginning installation. OSHPD documents and drawings are available at [www.chiefmfg.com](http://www.chiefmfg.com), and located on the product information page for the mount.

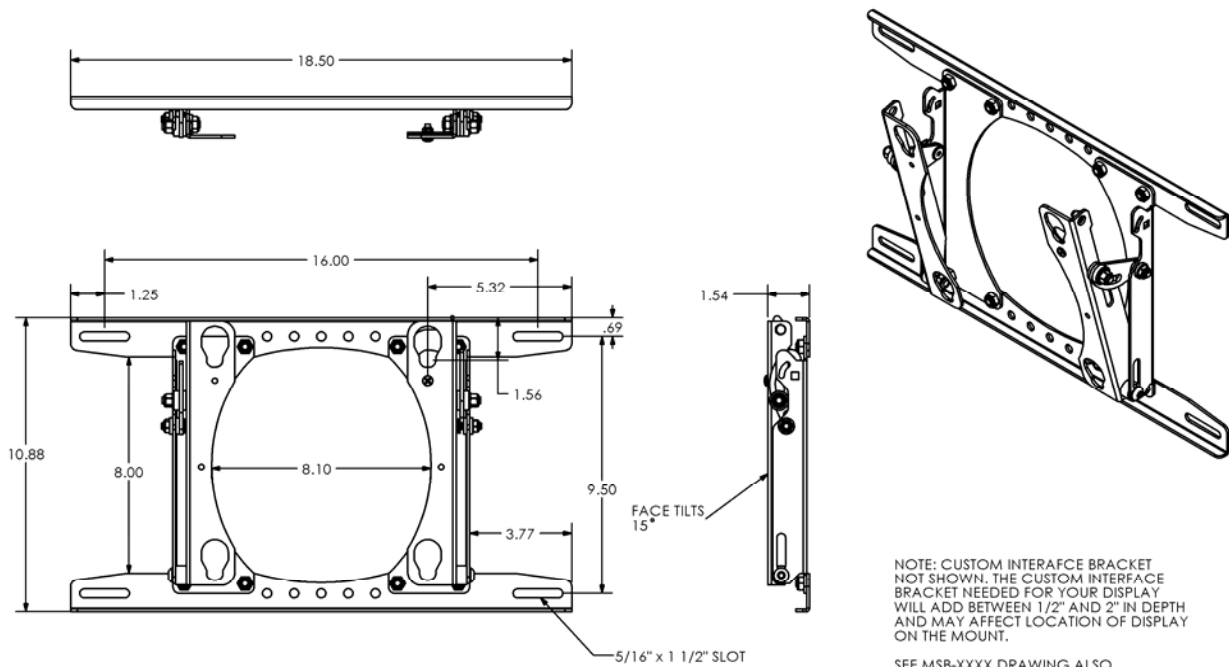
### BEFORE YOU BEGIN

- **CAUTION:** To prevent damage to your monitor and MTR, which could affect or void the Factory warranty, thoroughly study all instructions and illustrations before you begin to install the mount. Pay particular attention to the Warnings and Cautions in this document.
- The mount is designed to be installed using wall studs or supporting framework. The fasteners used to anchor the mount must be capable of supporting five times the total weight of the equipment.
- The maximum weight to be installed on the MTR Series tilt wall mount is 100 lbs (45.36kg).
- If you have any questions about this installation, contact Chief Manufacturing at 1-800-582-6480 or 952-582-6480.

# ! IMPORTANT WARNINGS and CAUTIONS!

<b>WARNING</b>	A <b>WARNING</b> alerts you to the possibility of serious injury or death if you do not follow the instructions.
<b>CAUTION</b>	A <b>CAUTION</b> alerts you to the possibility of damage or destruction of equipment if you do not follow the corresponding instructions.
• <b>WARNING</b>	<b>Improper installation can result in serious personal injury! Make sure that the structural members can support a redundant weight factor <i>five times</i> the total weight of the equipment. If not, reinforce the structure before installing the MTR</b>
• <b>WARNING</b>	<b>Be aware of the potential for personal injury or damage to the equipment if it is not installed correctly. Consider the weight of the mount without the display.</b>
• <b>WARNING</b>	<b>The installer is responsible for verifying that the display to which the wall mount is fastened will safely support the combined load of all attached components or other equipment.</b>
• <b>WARNING</b>	<b>The combined weight of the display placed on the wall mount must not exceed 100 lbs (45.36Kg), the maximum support weight of the MTR.</b>
• <b>WARNING</b>	<b>Watch for pinch points. Do not put your fingers between movable parts.</b>
• <b>WARNING</b>	<b>Make sure the flag securing the display is completely lowered at all times <i>except</i> when removing or installing the display. The flag must be all the way down when installing/removing cables.</b>
• <b>CAUTION</b>	Check the unit for shipping damage before you begin the installation.

## DIMENSIONAL DRAWING



## CONTENTS

DIMENSIONAL DRAWING.....2  
 TOOLS REQUIRED FOR INSTALLATION .....3  
 PARTS LIST .....3  
 MTR INSTALLATION .....4  
     Select Mounting Location .....4  
     Mount the MTR.....5  
 ATTACH MSB TO THE DISPLAY .....6  
 INSTALL THE DISPLAY .....6  
 TILT ADJUSTMENT .....7  
 REMOVE THE DISPLAY .....7

## TOOLS REQUIRED FOR INSTALLATION

- Drill and drill bit set
- Wrench set

**NOTE:** Other tools may be required depending on your method of installation.

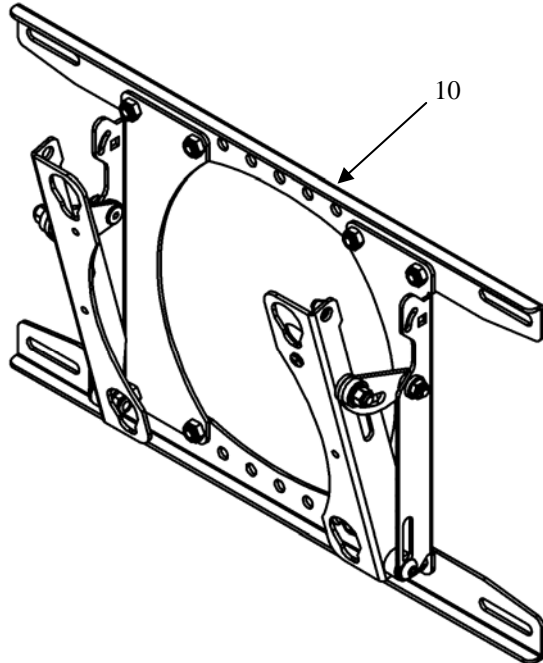


Figure 1. Parts

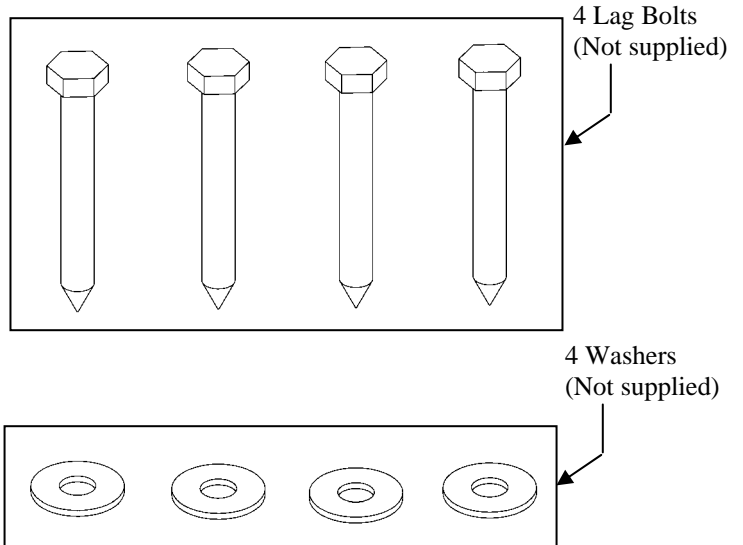
## PARTS LIST

Prior to assembly, unpack the carton completely. Verify contents listed in Table 1 and Figure 1.

Read installation instructions completely. If you are missing any of the listed parts, contact Customer Service at: 1-800/582-6480.

Table 1. Parts List

REF	DESCRIPTION	QTY
10	MTR-Series Tilt Mount	1
—	Lag Bolts (required, not supplied)	4
—	Flat Washers, (required, not supplied)	4



## MTR INSTALLATION

Perform the following procedures to mount the MTR.

### Select Mounting Location

To select the mounting location, do the following:

**WARNING: It is the responsibility of the installer to verify that the wall to which the mount is anchored will safely support the combined load of all attached components and equipment.**

1. Determine the exact mounting location to install the wall mount prior to installation, keeping in mind the screen size.

**NOTE:** Mount the MTR on dual wall studs or some other equivalent supporting framework that is vertical or horizontal.

2. Using a stud sensor, locate the wood stud(s) where you will mount the MTR, as follows:
  - Refer to Figure 2 for single wood stud mounting.

### OR

- Refer to Figure 3 for dual wood stud mounting, wood studs that are 16" apart on center.
3. Draw a level plumb line to indicate the desired height of the mount.
  4. Holding the MTR against the wall, select the mounting holes that best suits your situation (see Figure 4 on page 5).

**NOTE:** For dual wood stud mounting, the holes are slotted to allow for lateral movement. The mount can be centered, or shifted to the left of center, or right of center depending on stud location.

5. Mark the mounting holes you selected in Step 4. Make sure the mounting holes are square and straight.
6. Lay the MTR down on the floor.
7. Drill the pilot holes into the center of the wood stud(s) at the locations marked in Step 5 using the correct drill bit.

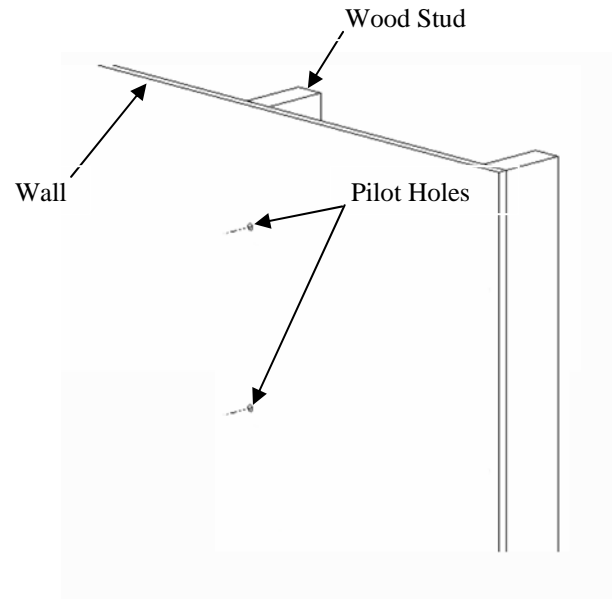


Figure 2. Drill Single Stud Pilot Holes

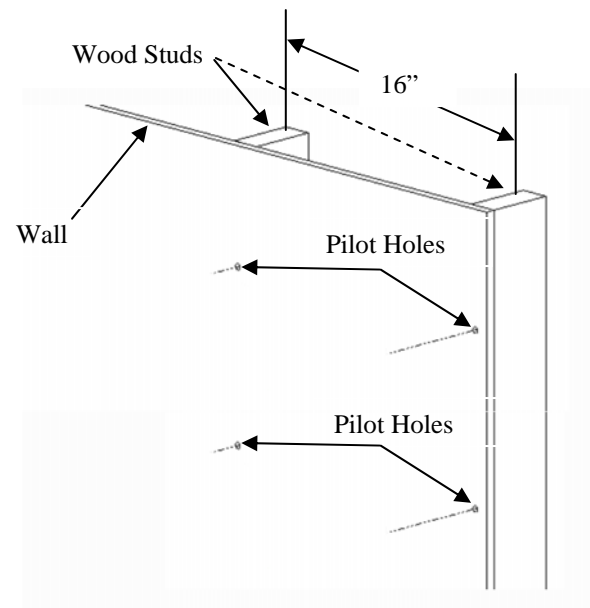


Figure 3. Drill Dual Stud Pilot Holes

## MTR INSTALLATION (Cont'd)

### Mount the MTR

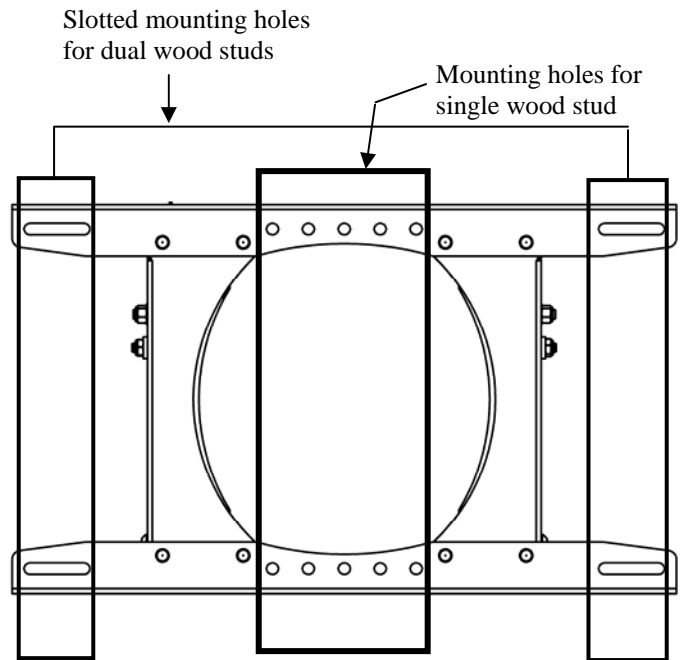
To mount the MTR, do the following:

**NOTE:** Lag bolts and washers are not supplied. The lag bolts must be driven into the support wall studs or other supporting framework.

1. Place MTR against the wall. Align the mount with the pilot holes drilled in the preceding procedure (see Figure 4).
2. Install the lag bolts and washers into the pilot holes previously drilled, as described below.
  - Install two lag bolts and two washers for single wood stud mounting.

**OR**

- Install four lag bolts and four washers into the slotted holes for dual wood stud mounting.
3. Tighten the lag bolts.



**Figure 4. Mounting Holes**

## ATTACH MSB TO THE DISPLAY

To attach the MSB to the display, do the following:

- To help you identify the correct MSB that matches the model number of your display, refer to the cross-reference chart at [www.chiefmfg.com](http://www.chiefmfg.com).
- To download the corresponding MSB installation instructions, refer to [www.chiefmfg.com](http://www.chiefmfg.com).

### OR

- Contact Customer Service at 952-582-6480 if you have any questions about how to select the MSB that matches the model number of your display.

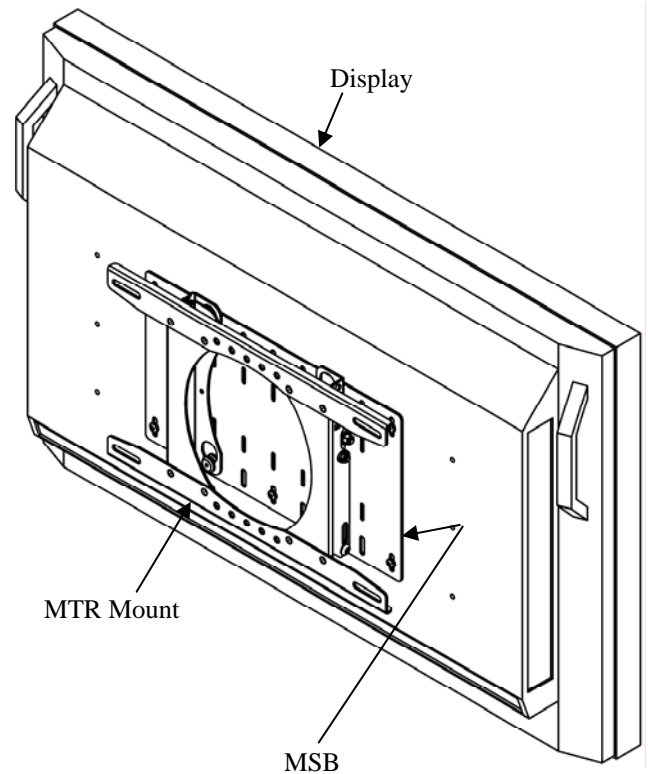
## INSTALL THE DISPLAY

To install the display, do the following:

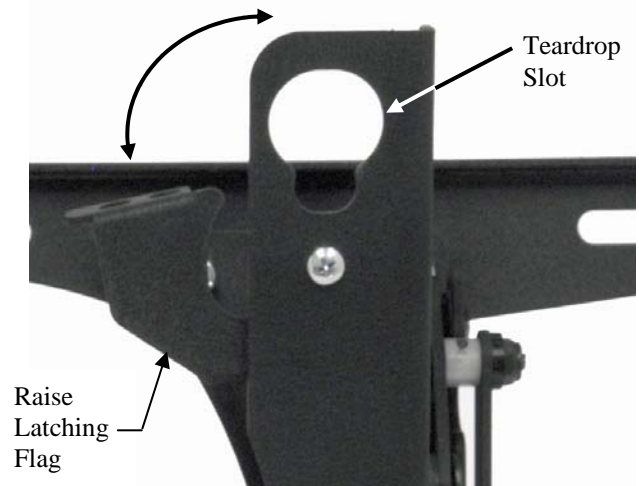
**NOTE:** Verify that all power/audio/video cables are disconnected from the display and the latching flag is lowered in the down position before attempting to mount the display.

1. With the aid of another person, lift the display up to the mount (10) on the wall, aligning mounting buttons on the MSB with the teardrop slots on the mount, and lower the display firmly into place (see Figure 5).
2. Raise the latching flag (2 places) to secure the display (see Figure 6). If the flag does not fully engage, check to ensure the mounting buttons are fully seated in the slots.

**NOTE:** A padlock may be installed through the hole in the latching flag for additional security.



**Figure 5. Mount Plasma Tilt Bracket to Wall**



**Figure 6. Raise Latching Flag to Lock**

## TILT ADJUSTMENT

To set the tilt adjustment of the mount, do the following:

**CAUTION:** Loosen the nut only. To avoid equipment damage, do not remove the nut from the mount.

1. Using 7/16" socket wrench, loosen the nuts (see Figure 7) on both arms of the mount.

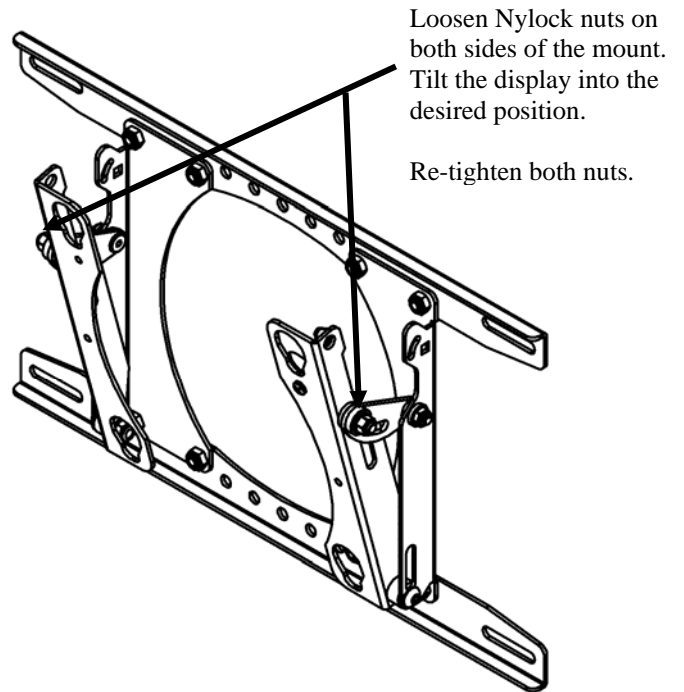
**CAUTION:** Do not over-tighten the nuts. Over-tightening the nuts may cause excessive wear and may damage your mount.

2. Pull and tilt the arm to the desired position. Tighten both nuts.
3. Repeat Steps 1 and 2 until the desired tension is obtained.

## REMOVE THE DISPLAY

To remove the display from the mount, do the following:

1. Disconnect all power/audio/video cables.
2. Lower the latching flag to unlock the display (refer to Figure 6).
3. With the aid of another person, lift the display up and out of the teardrop slots in the mount to remove the display.



**Figure 7. Tilt Adjustment**